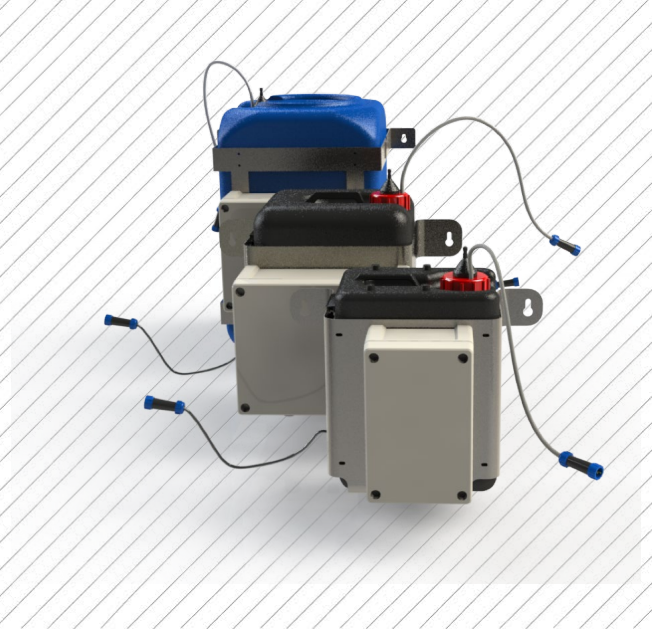


# WASHER TANK RC-WPXL

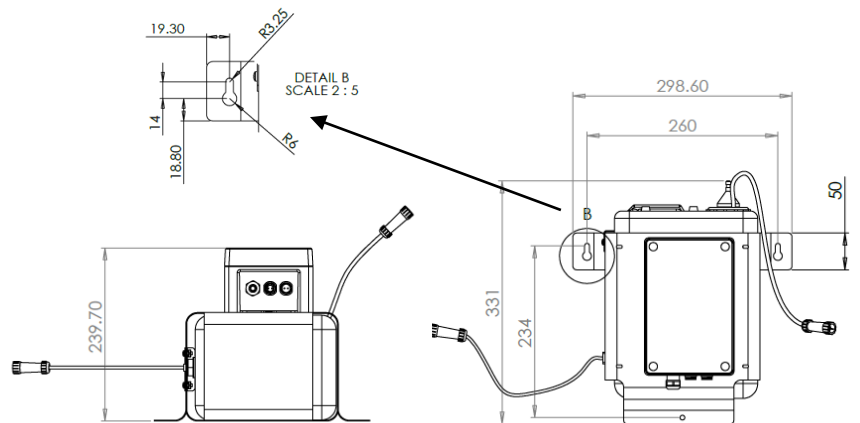


The Silent Sentinel Washer Tank is the perfect accessory for all of Silent Sentinel's camera platforms.

The washer tank system is a vital addition to any CCTV installation where the environment is susceptible to any form of dirt or airborne contaminants. The WA-WPXL range comes with a float-switch as standard; This feature protects the washer unit from running dry and therefore damaging the pump. When the water capacity reaches a set level the power is cut to the pump and the unit will no longer operate.

## KEY FEATURES

- 5 litre, 10 litre or 25 litre reservoir capacity
- Float switch as standard
- UV stable water container
- Black UV stable hose
- IP67 Connectors
- RS485 control
- Simple installation
- Suitable for corrosive environments
- Capable of pumping 12m vertically



\* Typical RC-WP5L/230-RS washer tank.  
Detailed dimension drawings available upon request.

## TECHNICAL SPECIFICATION

Reservoir Capacity (litres)	5, 10 or 25 litre options
Head Pumping Height	12 Metres
Control	RS485
Power Consumption	60 Watts
Input Voltage	110vAC or 230vAC
IP Rating	IP66
Material	316L Grade stainless steel frame
Operating Temperature	-5°C to 55°C

## PART NUMBERS

RC-WP5L/230-RS	RC-WP5L/230-RS Washer tank, 5 litre
RC-WP10L/230-RS	RC-WP10L/230-RS Washer tank, 10 litre
RC-WP25L/230-RS	RC-WP25L/230-RS Washer tank, 25 litre